

CE | Ⓢ | EN 60598-2-3 | IP 66 | IK 08 | CRI 70 | WA 0.03m<sup>2</sup> | 220V – 240V / 50Hz – 60Hz

luminaire head



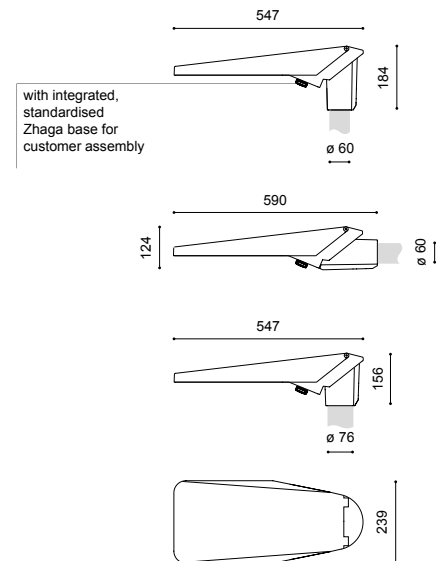
# ALFONS I DA HE TW LED ZS

with Zhaga socket



- recom. pole height: 4.00m – 7.00m
- light standards: low and medium lighting requirements
- lamp: incl. 1 or 2 DA HE TW LED modules
- colour temperature: Biodiversity through Tuneable White LED modules: steplessly adjustable from 2,200K to 4,000K
- surge protection: 10kV
- LED gear: incl. programmable, Zhaga Book18 compliant and D4i-certified 2-channel driver with DX interface and data communication, in combination with 1 standardised Zhaga socket at the bottom, as well as integrated „Constant Light Output“ (CLO) function to keep the luminous flux of the LEDs constant over the entire Useful life (up to 100,000 hours / B10)
- LED life expectancy: 65,000 hours/ L100/ B10; 100,000 hours/ L90 /B10 for minimum maintenance costs due to an excellent thermal management
- light control: at extra cost: dimming, power reduction; future-proof Zhaga socket on the bottom, suitable for retrofitting the luminaire with Hub light control systems, e.g. CLEVER LIGHT, i.a.
- optical system: directed light (multi layer) provided by an exchangeable, anti-aging lens technology
- light distribution: [street optics](#), [square optics](#), [area optics](#), [cycle path optics](#), [pedestrian crossing optics](#) – see next page
- luminaire head: die cast aluminium, powder coated
- colour: DB 703; other colours on request
- glazing: flat, clear toughened glass glazing
- wiring: completely wired; via a plug and socket connector within the luminaire head; luminaire head to be hinged upward
- installation: for top or side entry; ASA 60 or ASA 76 to be ordered separately:
  - ASA 60 for side entry  $\varnothing$  48mm up to 60mm (0°, -5°, -10°, -15°) or for top entry  $\varnothing$  60mm (0°, 5°, 10°, 15°)
  - ASA 76 for top entry  $\varnothing$  76mm (0°, 5°, 10°)
- accessory: adapter ASA, column, pole accessories, wall bracket, cable – to be ordered separately
- application areas: parks, boulevards, schools, home for elderly people, hotels, factory premises, residential and local distribution roads, main streets, car parks, pedestrian and cycle lanes, holiday parks

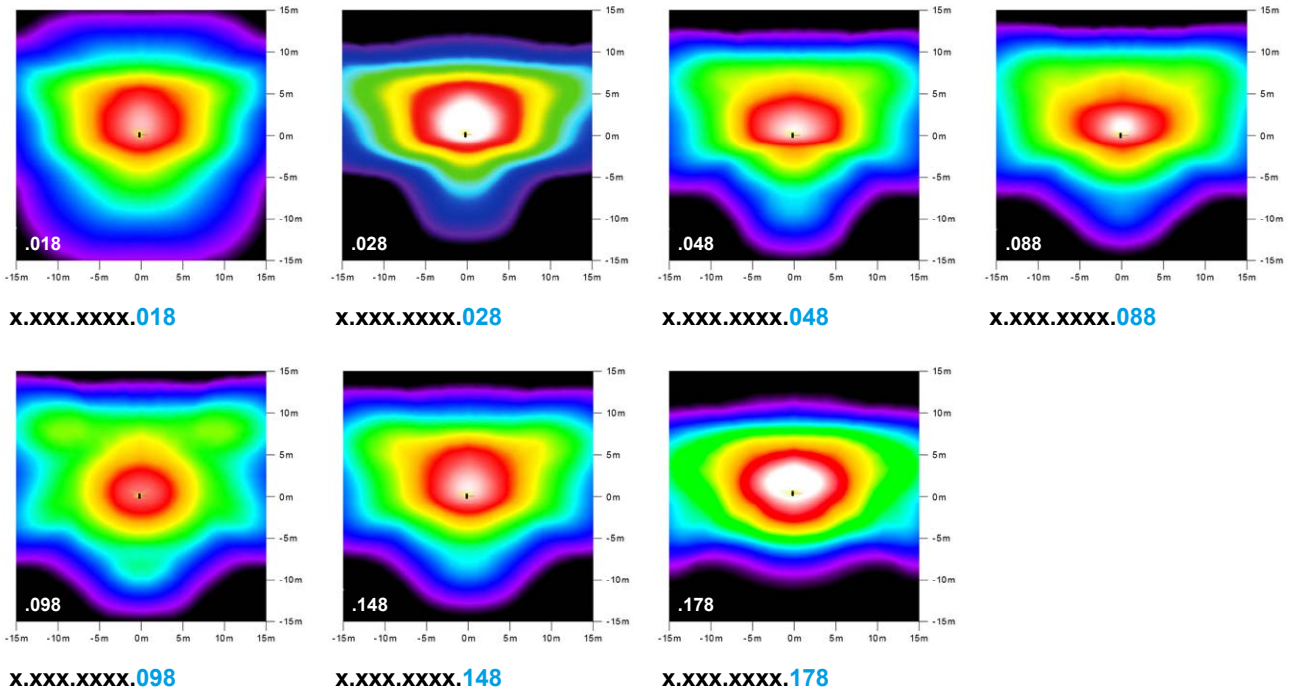
lamp	kg	product code
<b>steplessly adjustable:</b>		
1 module: from 7,7W/1.295lm/2.200K to 34,4W/4.740lm/2.200K or from 7,7W/1.560lm/4.000K to 34,4W/5.855lm/4.000K		
LED DA HE TW 2x8	4,8	9.136.8158.xxx-224T-ZSu
2 modules: from 15,4W/2.590lm/2.200K bis 68,8W/9.480lm/4.000K or from 15,4W/3.120lm/4.000K to 68,8W/11.710lm/4.000K		
LED DA HE TW 2x8	5,2	9.136.8258.xxx-224T-ZSu
power reduction without pilot-line, dimming level and time according to customer's request 9.136.8x58.xxx-224T-93-ZSu		
<b>necessary accessory: cast aluminum, DB 703</b>		
adapter for top and side entry $\varnothing$ 60mm		
<b>ASA 60</b>	0.9	9.924.0980.70
adapter for top entry $\varnothing$ 76mm		
<b>ASA 76</b>	1.0	9.924.0979.70
<b>accessory: backlight shield</b>		
<b>LS DA 1</b>	0.01	2.914.8301.17



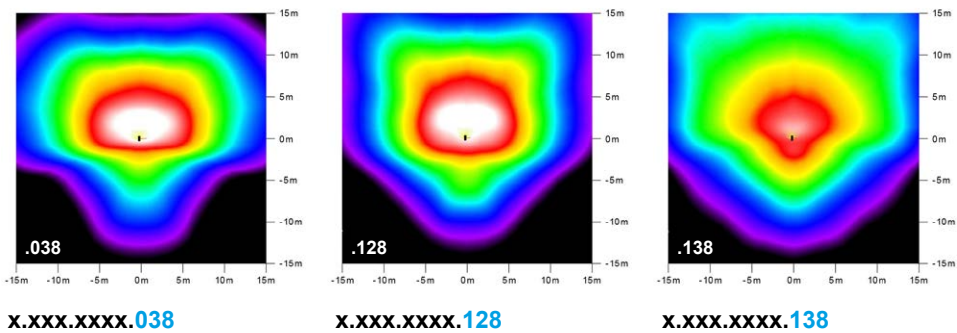
class II at extra cost (add "S" at the end)

Technical specifications are subject to change without notice. 05.2025

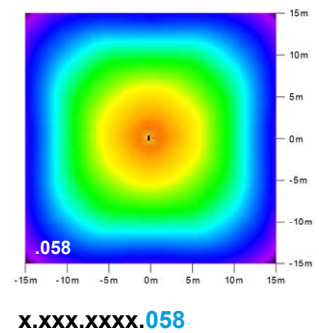
**street optics (2x8)**  
asymmetrical wide beam / asymmetrical deep wide beam



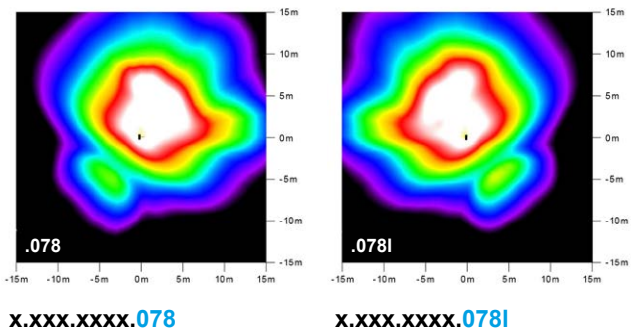
**area optics (2x8)**  
asymmetrical deep wide beam / asymmetrical



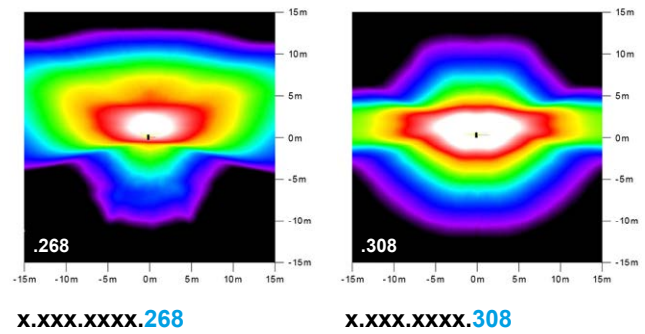
**square optics (2x8)**  
symmetrical



**pedestrian crossing optics (2x8)**  
right beam / left beam



**cycle path optics (2x4\*)**  
narrow and wide beam



\*other DA LED module – other performance, data sheet on request