

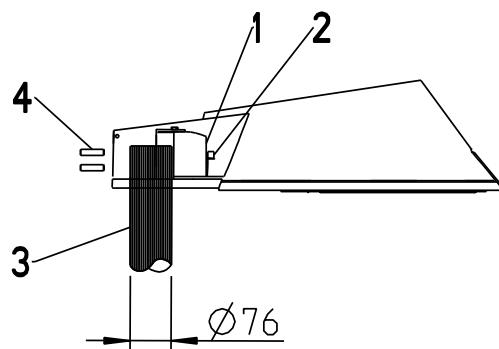
# Installation Sheet

## ASL 2050 Post Top Luminaire



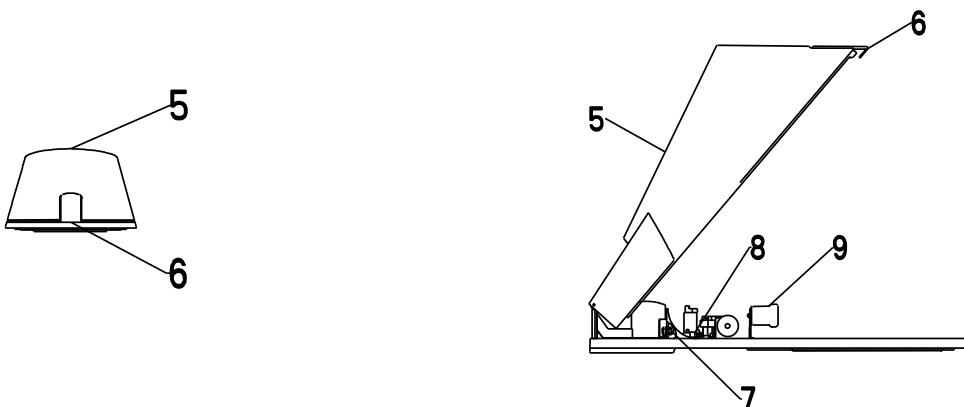
Gewerbepark  
Leipzig-Nordost  
Heiterblickstr. 42  
04347 Leipzig  
Tel. +49 (0)341/245613  
Fax +49 (0)341/2333151

For top entry  $\text{Ø} 76\text{mm}$



Pull the cable about 20cm through the opening (1) and release the weight from the cable (2).

Set the luminaire head at the post (3).  
Screw the provided 2 pcs. hexagon socket set screw M10x40 (4) from the outside into the cover.



To open the cover (5), pull the clip down (6).  
Pull the cable through the cable gland (7), release the weight from the cable and connect the cable to the clamp (8).  
Fit the lamp into the lamp holder (9). Warning: Ensure lamp is correct type and wattage.  
To close the luminaire apply the instructions in reverse order.