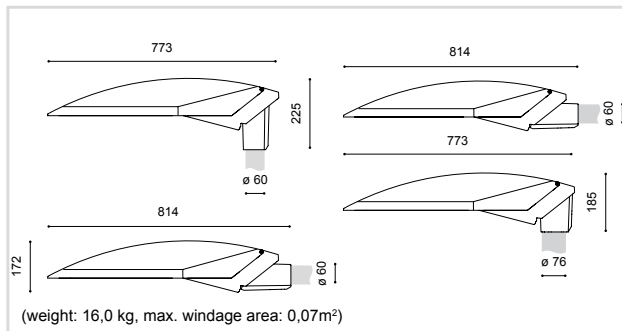


post top / side entry luminaire

ARNE III

with DA, FF, DAWU LED module(s), by changing the position of the adapter ASAX, the luminaire head is used as post top luminaire with \varnothing 76mm (inclination: 0°, 5° or 10°) or with \varnothing 60mm (inclination: 0°, 5°, 10° or 15°) or as side entry luminaire with \varnothing 48mm up to \varnothing 60mm (inclination: 0°, -5°, -10° or -15°); column height 6.00m up to 12.00m

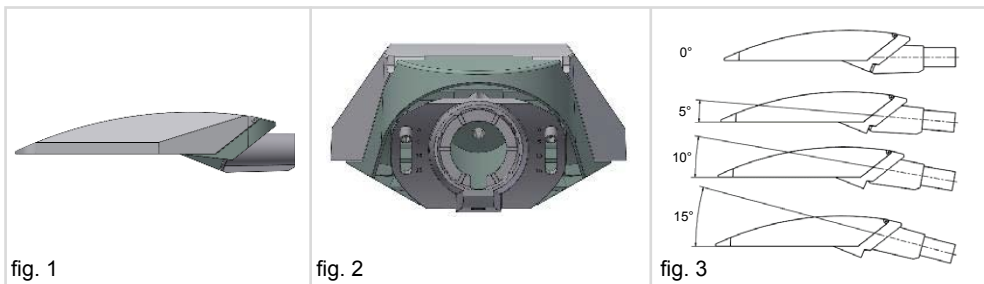
IMPORTANT NOTE: Connection of the light to the mains and replacement of the LED modules may only be carried out by a qualified electrician, by the manufacturer or by a service technician authorised by you. Do not use this luminaire in indoor areas.



A. Installation and connection of the luminaire

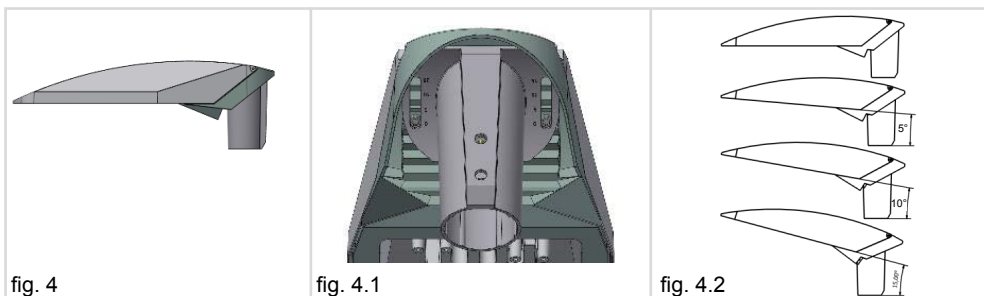
1. Installation as side entry luminaire with ASAX 60 for bracket \varnothing 48mm – \varnothing 60mm

- Fix the necessary adapter ASAX 60 on the luminaire head with the two attached hexagonal bolts.
- For the side entry version, the ASAX 60 needs to be unscrewed and screwed again but in horizontal position. Use 2 hexagonal bolts (see fig. 1, fig. 2).
- Ensure you put the adapter for side entry ASAX 60 in the right inclination. You can change the required inclination to 0°, -5°, -10° or -15° by releasing the 2 hexagonal bolts (see fig. 2, fig. 3).
- Put the cable of approx. 30 cm through the screw gland in the luminaire head.
- Push the luminaire on the bracket and fix the bracket with the 2 delivered Allen screws M10x30. Use an Allen key, size 5. Tighten the screws with a minimum of 20 Nm.
- Follow the instructions under point 3.



2. Installation as post top luminaire for top entry ASA \varnothing 76mm or \varnothing 60mm

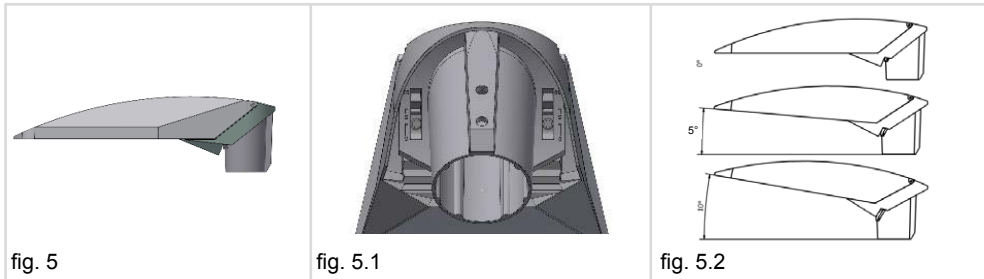
- Fix the necessary adapter ASAX 76 on the luminaire head with the two attached hexagonal bolts.
- For the top entry version, the ASAX 60 for top entry \varnothing 60mm (see fig. 4.1) or ASAX 76 for top entry \varnothing 76mm (see fig. 5.1) needs to be in a vertical position (see fig. 4, fig. 5).
- Ensure you put the adapter ASAX 60 or ASAX 76 in the right inclination. You can change the required inclination for ASAX 60 to 0°, +5°, +10° or +15° (see fig. 4.2) and for ASAX 76 to 0°, +5° or +10° (see fig. 5.2) by releasing the 2 hexagonal bolts (1).
- Put the cable of approx. 30 cm through the screw gland in the luminaire head.
- Put the luminaire head on the top entry.
- Hold the front part of the luminaire in the approximate position.
- Fix the luminaire head with the 2 delivered Allen screws.
- Use screws M10x30 and the Allen key, size 5. Tighten the screws with a minimum of 20 Nm.
- Follow the instructions under point 3.



installation instruction

3. Connection of the electronic unit

- Ensure that there is no voltage.
- Open the cover by in front releasing the Allen screws with the Allen key, size 5 (see fig. 6) and lift the luminaire head (see fig. 7).
- Fix the open luminaire head by pulling the support downwards (fig. 8).
- Remove not connected socket part from the clamp (see fig. 9), connect the led in cable and connect again the socket part with the plug connector. See connection diagram under point D.
- Tighten the screw gland to relieve the cable.
- Close the luminaire head in reverse order.



B. Change of the driver or led module(s)

- Ensure that there is no voltage.
- Open the cover by in front releasing the Allen screws with the Allen key, size 5 (see fig. 6) and lift the luminaire head (see fig. 7).
- Fix the open luminaire head by pulling the support downwards (fig. 8).
- To be able to change the LED module(s), unplug the cable(s), release the 2 or 3 screws per module and remove the module(s). Clean the plate to remove thermal paste leftovers. Apply new thermal paste between the LED modules and screw on the modules with 2 or 3 screws per module. Fix the cable again.
- To change the driver, unplug the cable, release 2 screws and remove the driver. Put the new driver at the same position, screw it and connect the cable.
- Close the luminaire head in reverse order.



C. Operation of the driver with dip switch in the version DAWU 2.0

4 or 8 adjustable power levels:
variant 1:

Pin 1	Pin 2	Current (mA)
OFF	OFF	500
OFF	ON	600
ON	OFF	650
ON	ON	700

variant 2:

Pin 1	Pin 2	Pin 3	Current (mA)
OFF	OFF	OFF	150
OFF	OFF	ON	200
OFF	ON	OFF	250
OFF	ON	ON	300
ON	OFF	OFF	350
ON	OFF	ON	400
ON	ON	OFF	450
ON	ON	ON	500

The factory setting differs depending on the module and is described in the data sheet.

In the interests of environmental protection, do not dispose of your product in household waste when it has reached the end of its useful life, but dispose of it properly. You can find out about collection centres and their opening times from your local authority.

Caution! Danger of electric shock.

Replace any broken protective disc (square).

designed by DIN EN 60598-2-3; stand: 11.2024