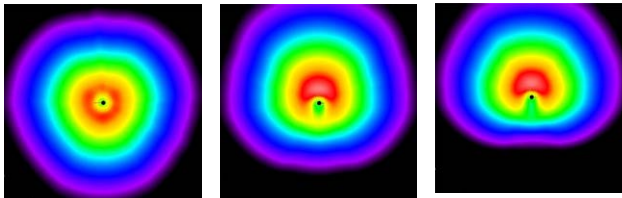


post top luminaire

# CLARA VIII/R U LED



- recom. pole height: 4.00m – 6.00m
- light standards: for low and medium lighting requirements
- lamp: incl. 1 glare-free U LED module
- inrush current: 0,03A only
- surge protection: 2x 20kV
- colour temperature: 3,000K warm white or 4,000K neutral white
- LED gear: incl. driver up to 100,000 hours; high efficiency factor of 94%, with soft start function and Constant Light Output (CLO) in order to keep the luminous flux the same over the entire life time
- LED life expectancy: 65,000 hours/ L100/ B10; 100,000 hours/ L90 / B10 for minimum maintenance costs due to an excellent thermal management
- light control: at extra cost: power reduction or dimming or CLEVER LIGHT or external change of dim settings subsequently
- optical system: louvre system with inner laying satined anti-glare tube and directed LEDs for wide spacings
- light distribution: symmetrical, asymmetrical or asymmetrical with back shield
- luminaire head: canopy made of aluminium with a special white, reflective underside finish; base made of corrosion-resistant cast aluminium; powder coated
- glazing: PMMA RESIST, clear, high-impact
- colour: DB 703; other RAL or DB colour without extra cost on request
- wiring: via a plug and socket connector outside the luminaire head; easy installation
- installation: for top entry ø 76mm; delivery in one piece
- accessories: cable, poles, pole accessories - to be ordered separately
- application areas: residential and local distributor roads, car parks, schools, hotels, factory premises, paths, squares, parks

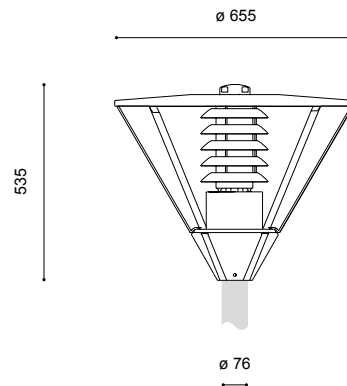


**symmetrical** height: 4.50m; area: 30m x 30m     **asymmetrical** height: 4.50m; area: 30m x 30m     **asymmetrical with back shield** height: 4.50m; area: 30m x 30m

lamp	kg	product code
<b>symmetrical</b>		
U LED 11W/2,000lm/3,000K <sup>(Gen 4)</sup>	11.2	9.764.9024.058-24
U LED 15W/3,000lm/3,000K <sup>(Gen 4)</sup>	11.2	9.764.9033.058-24
U LED 21W/4,000lm/3,000K <sup>(Gen 4,1)</sup>	11.2	9.764.9044.058-241
<b>asymmetrical</b>		
U LED 12W/2,000lm/4,000K <sup>(Gen 4)</sup>	11.2	9.764.9022.058-24
U LED 17W/3,000lm/4,000K <sup>(Gen 4)</sup>	11.2	9.764.9433.058-24
U LED 19W/4,000lm/4,000K <sup>(Gen 4,1)</sup>	11.2	9.764.9045.058-241
<b>asymmetrical with back shield</b>		9.764.xxxx.058-44(1)
		9.764.xxxx.058-34(1)

power reduction without pilot-line, dimming level and time according to customer's request 9.764.xxxx.058P-x4(1)

power reduction with pilot-line, dimming level and logic according to customer's request 9.764.xxxx.058x4(1)-SDU



class II – at extra cost (add "S" at the end)

Technical specifications are subject to change without notice. 09.2022

