

post top luminaires for compact fluorescent lamps and LED modules

# CLEO I DA LED

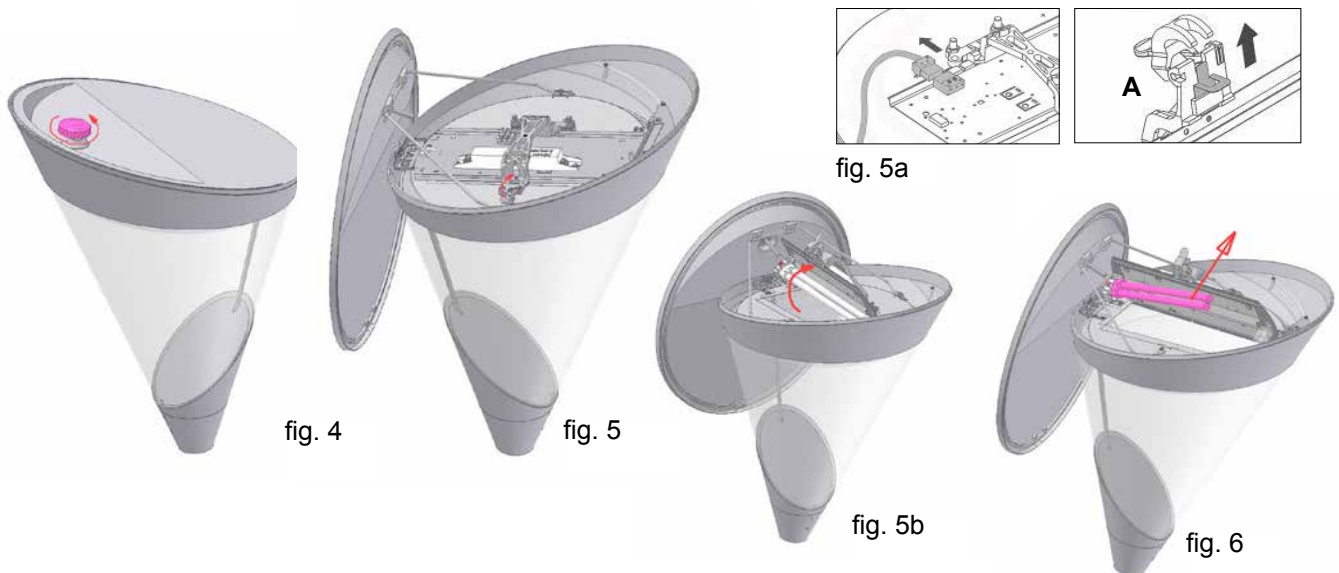
**installation:**



**IMPORTANT:** Do not put the luminaire with head down because this will cause damages of the fixing system of the mounting plate.

The luminaire CLEO I is wired for connection. Shorten the connected cable according to the pole length. Pull the cable through the pole from the top. Put the luminaire head vertically on the suitable pole with post-top Ø 60mm. Turn the luminaire head until the fixing screw of the adapter is traverse to the road (in case of the LED version: the LED module is also traverse to the road – fig. 3). Fasten the fixing screw with 10 Nm.

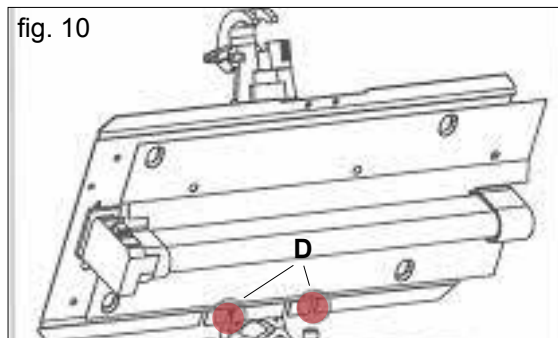
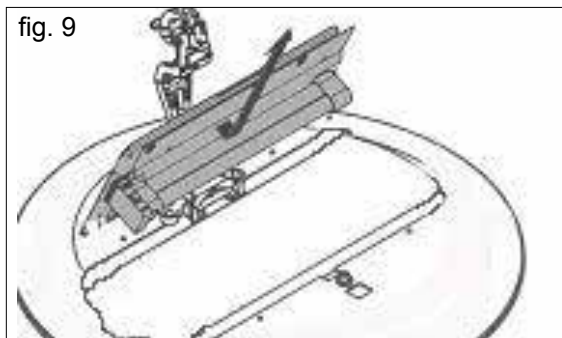
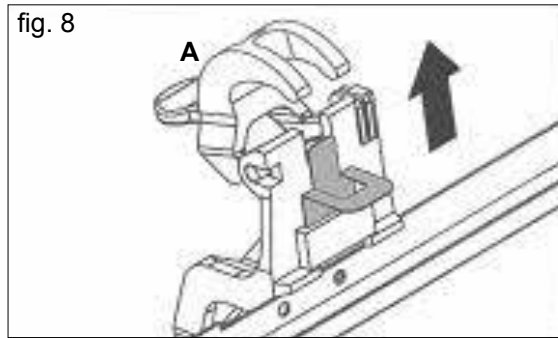
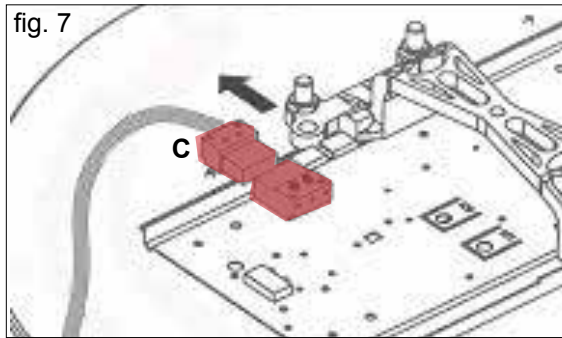
**Change of the LED-module:**



Ensure that the luminaire does not carry any voltage during installation!

Open the luminaire head by turning the closing button to the left (fig. 4). Open the canopy to top. The canopy is attached to the housing via a hinge system (fig. 5). Disconnect the plug connection (fig. 5a) and lift up the lever (A). Lift up the mounting plate (fig. 5b). When having compact fluorescent lamps: unscrew the lamp from the socket (fig. 6). For LED modules, loosen 2 or 4 screws (depending on the LED module type). Install the new lamp or LED module and close the luminaire in retrospective application. Ensure that the canopy is placed properly on the luminaire head.

## Change of the mounting plate:



Disconnect the plug connection (C); fig. 7.

Lift up the lever (A); fig. 8.

Lift the mounting plate upwards and remove it; fig. 9.

Insert the new mounting plate. Note that the plate is installed properly (D), fig. 10 and close it in retrospective application. After having closed the canopy, ensure that it is put properly on the housing.

## This installation instruction is for the following luminaires:

