

side entry luminaire COSMA III DA LED



recom. pole height: 4.00m – 7.00m
 light standards: for low and medium lighting requirements
 lamp: incl. 1 or 2 DA+ (2x8) LED modules, easy to replace
 colour temperature: 4,000K neutral white or 3,000K warm white
 surge protection: 10kV
 LED gear: incl. 4DIM driver, up to 100,000 hours; driver with integrated Constant Light Output (CLO) in order to keep the luminous flux at the same level over the entire life time; AC/DC compatible for operation with central battery systems
 LED life expectancy: 65,000 hours/ L100/ B10; 100,000 hours/ L90 /B10 for minimum maintenance costs due to an excellent thermal management
 light control: at extra cost: power reduction, dimming or CLEVER LIGHT
 optical system: directed light (multi layer) provided by an exchangeable, anti-aging lens technology
 light distribution: [street optics](#), [square optics](#), [area optics](#), [cycle path optics](#), [pedestrian crossing optics](#) – see next page
 luminaire head: made of die cast aluminium, powder coated
 glazing: slightly curved toughened safety glass, removeable with safety rope
 colour: DB 703
 wiring: luminaire head completely wired; incl. cable until access door (please specify mast height when ordering) for side entry ø 60mm
 installation: column, wall bracket or column bracket – to be ordered separately
 accessory:
 application areas: parkways, boulevards, schools, hotels, factory premises, residential and local distributor roads, paths, squares, car parks

lamp	kg	product code
DA+ (2x8) LED 11W/2,100lm/4,000K	7,5	9.103.8115.xxx
DA+ (2x8) LED 13W/2,400lm/4,000K	7,5	9.103.8118.xxx
DA+ (2x8) LED 17W/3,000lm/4,000K	7,5	9.103.8124.xxx
DA+ (2x8) LED 22W/3,800lm/4,000K	7,5	9.103.8128.xxx
DA+ (2x8) LED 23W/4,200lm/4,000K ⁽²⁾	8,0	9.103.8215.xxx
DA+ (2x8) LED 27W/4,800lm/4,000K ⁽²⁾	8,0	9.103.8218.xxx
DA+ (2x8) LED 34W/6,000lm/4,000K ⁽²⁾	8,0	9.103.8224.xxx
DA+ (2x8) LED 45W/7,600lm/4,000K ⁽²⁾	8,0	9.103.8228.xxx
DA+ (2x8) LED 12W/2,000lm/3,000K	7,5	9.103.8115.xxx-3
DA+ (2x8) LED 14W/2,300lm/3,000K	7,5	9.103.8118.xxx-3
DA+ (2x8) LED 18W/2,900lm/3,000K	7,5	9.103.8124.xxx-3
DA+ (2x8) LED 23W/3,700lm/3,000K	7,5	9.103.8128.xxx-3
DA+ (2x8) LED 23W/4,000lm/3,000K ⁽²⁾	8,0	9.103.8215.xxx-3
DA+ (2x8) LED 27W/4,600lm/3,000K ⁽²⁾	8,0	9.103.8218.xxx-3
DA+ (2x8) LED 35W/5,800lm/3,000K ⁽²⁾	8,0	9.103.8224.xxx-3
DA+ (2x8) LED 47W/7,400lm/3,000K ⁽²⁾	8,0	9.103.8228.xxx-3

power reduction without pilot-line, dimming level and time according to customer's request 9.103.8xxx.xxx-93

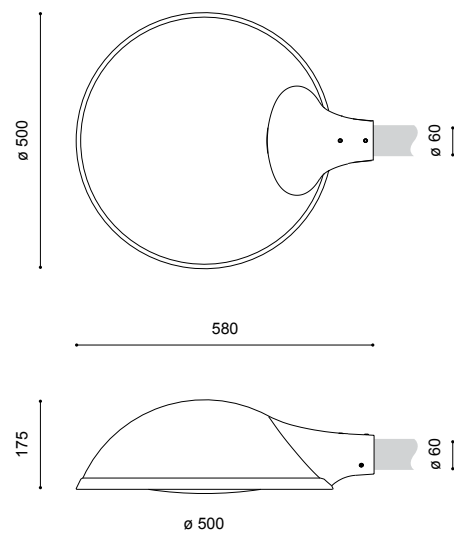
power reduction with pilot-line, dimming level and logic according to customer's request 9.103.8xxx.xxx-94

accessory: hot dip galvanised steel/ hot d. galv. steel and powder coated

MA 1.3 NE single bracket, galvanised	3,1	0.910.1611.30
MA 1.3 NE single bracket, powder coated	3,2	0.910.1611.36
ZMA 1.3 NE double bracket, galvanised	3,7	0.910.1611.302
ZMA 1.3 NE double bracket, powder coated	3,8	0.910.1611.362
WA 71-2 wall bracket 2°, galvanised	2,0	9.982.0015.71
WA 714-2 wall bracket 2°, powder coated	2,3	9.982.0015.714
EA 61-2 corner bracket 2°, galvanised	2,0	9.982.0010.61
EA 614-2 Eckausleger 2°, powder coated	2,1	9.982.0010.614

(2) 2 modules
class II – at extra cost (add "S" at the end)

Technical specifications are subject to change without notice. 07.2022



side entry luminaire COSMA III DA LED

CE | ☉ | ☐ | EN 60598-2-3 | IP 65 | IK 09 | CRI 70 | 220V – 240V / 50Hz – 60Hz



recom. pole height: 4.00m – 7.00m
light standards: for low and medium lighting requirements
lamp: incl. 1 or 2 DA+ (2x8) LED modules, easy to replace
colour temperature: 4,000K neutral white or 3,000K warm white
surge protection: 10kV
LED gear: incl. driver, up to 100,000 hours; with integrated Constant Light Output (CLO) in order to keep the luminous flux at the same level over the entire life time; AC/DC compatible for emergency
LED life expectancy: 65,000 hours/ L100/ B10; 100,000 hours/ L90 /B10 for minimum maintenance costs due to an excellent thermal management
light control: at extra cost: power reduction, dimming, DALI or CLEVER LIGHT
optical system: directed light (multi layer) provided by an exchangeable, anti-aging lens technology
light distribution: [street optics](#), [square optics](#), [area optics](#), [cycle path optics](#), [pedestrian crossing optics](#) – see next page
luminaire head: made of die cast aluminium, powder coated
glazing: made of PMMA RESIST, high-impact, strong curved, satined; frame with glazing removeable; clear on request
colour: DB 703; other colours on request
wiring: luminaire head completely wired; incl. cable until access door (please specify mast height when ordering) for side entry ø 60mm
installation: column, wall bracket or column bracket, back light shield for no glare on the rear side – to be ordered separately
accessory:
application areas: parkways, boulevards, schools, hotels, factory premises, residential and local distributor roads, paths, squares, car parks

lamp	kg	product code
DA+ (2x8) LED 11W/2,100lm/4,000K	7,5	9.103.8115.xxx2
DA+ (2x8) LED 13W/2,400lm/4,000K	7,5	9.103.8118.xxx2
DA+ (2x8) LED 17W/3,000lm/4,000K	7,5	9.103.8124.xxx2
DA+ (2x8) LED 22W/3,800lm/4,000K	7,5	9.103.8128.xxx2
DA+ (2x8) LED 28W/4,500lm/4,000K	7,5	9.103.8130.xxx2
DA+ (2x8) LED 23W/4,200lm/4,000K ⁽²⁾	8,0	9.103.8215.xxx2
DA+ (2x8) LED 27W/4,800lm/4,000K ⁽²⁾	8,0	9.103.8218.xxx2
DA+ (2x8) LED 34W/6,000lm/4,000K ⁽²⁾	8,0	9.103.8224.xxx2
DA+ (2x8) LED 45W/7,600lm/4,000K ⁽²⁾	8,0	9.103.8228.xxx2
DA+ (2x8) LED 55W/9,000lm/4,000K ⁽²⁾	8,0	9.103.8230.xxx2
DA+ (2x8) LED 12W/2,000lm/3,000K	7,5	9.103.8115.xxx2-3
DA+ (2x8) LED 14W/2,300lm/3,000K	7,5	9.103.8118.xxx2-3
DA+ (2x8) LED 18W/2,900lm/3,000K	7,5	9.103.8124.xxx2-3
DA+ (2x8) LED 23W/3,700lm/3,000K	7,5	9.103.8128.xxx2-3
DA+ (2x8) LED 29W/4,400lm/3,000K	7,5	9.103.8130.xxx2-3
DA+ (2x8) LED 23W/4,000lm/3,000K ⁽²⁾	8,0	9.103.8215.xxx2-3
DA+ (2x8) LED 27W/4,600lm/3,000K ⁽²⁾	8,0	9.103.8218.xxx2-3
DA+ (2x8) LED 35W/5,800lm/3,000K ⁽²⁾	8,0	9.103.8224.xxx2-3
DA+ (2x8) LED 47W/7,400lm/3,000K ⁽²⁾	8,0	9.103.8228.xxx2-3
DA+ (2x8) LED 57W/8,800lm/3,000K ⁽²⁾	8,0	9.103.8230.xxx2-3

power reduction without pilot-line, dimming level and time according to customer's request 9.103.xxxx.xxx2-93

power reduction with pilot-line, dimming level and logic according to customer's request 9.103.xxxx.xxx2-94

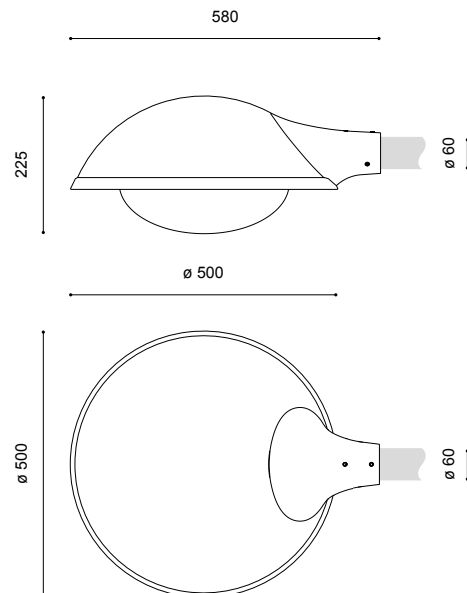
accessory: hot dip galvanised steel powder coated in DB 703

MA 1.3 NE single bracket, DB 703	3,2	0.910.1611.36
ZMA 1.3 NE double bracket, DB 703	3,8	0.910.1611.362
WA 714-2 wall bracket 2°, DB 703	2,3	9.982.0015.714
EA 614-2 Eckausleger 2°, DB 703	2,1	9.982.0010.614

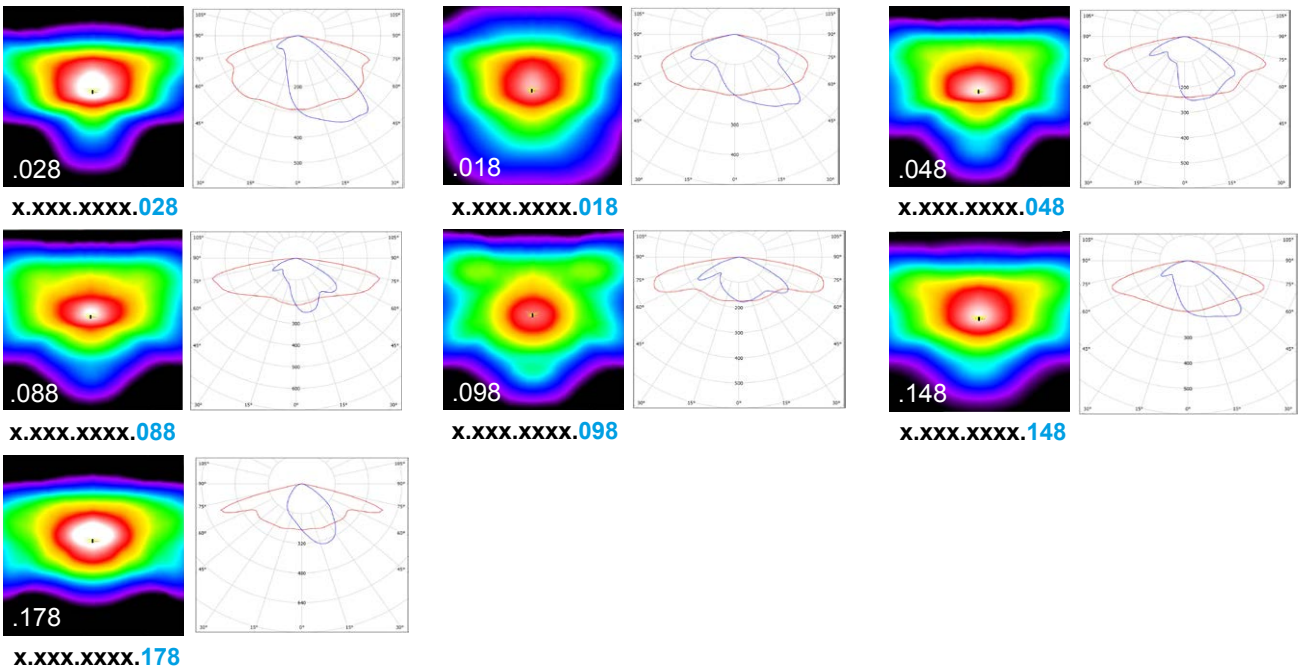
accessory:
backlight shield **LS DA 1** 0,01 2.914.8301.17

⁽²⁾ 2 modules
class II – at extra cost (add "S" at the end)

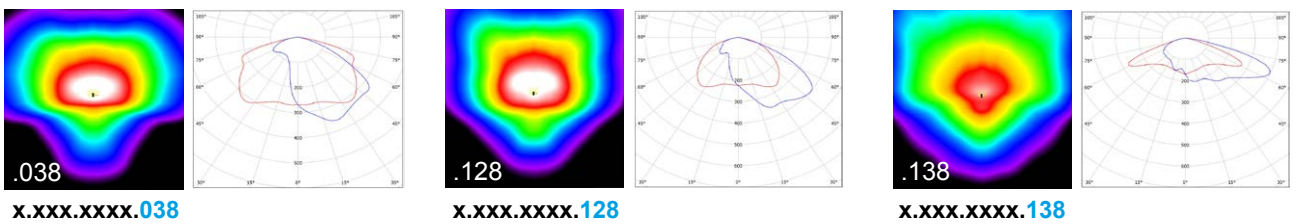
Technical specifications are subject to change without notice. 08.2023



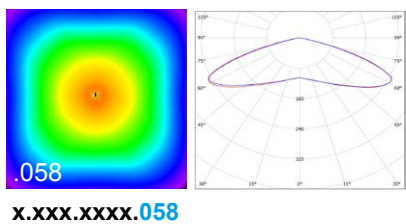
street optics (2x8)
asymmetrical wide beam / asymmetrical deep wide beam



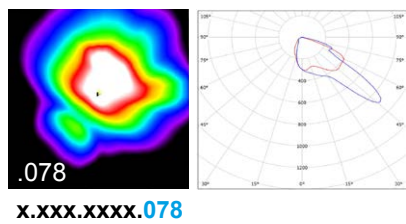
area optics (2x8)
asymmetrical deep wide beam / asymmetrical



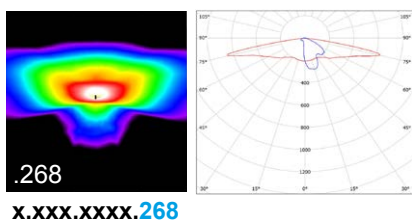
square optics (2x8)
symmetrical



pedestrian crossing optics (2x8)
right beam



cycle path optics (2x4)
narrow and wide beam



other DA LED module – other performance,
data sheet separately on request

Technical specifications are subject to change without notice. 07.2022