

# side entry luminaire COSMA I DA LED

CE | | EN 60598-2-3 | IP 66 | IK 09 | CRI 70 | 220V – 240V / 50Hz – 60Hz

Zhaga



recom. pole height: 5.00m – 8.00m  
 light standards: low, medium and high lighting requirements  
 lamp: incl. 1, 2 or 3 DA+ (2x8) LED modules, easy to replace  
 colour temperature: 4,000K neutral white or 3,000K warm white  
 surge protection: 10kV  
 LED gear: incl. 4DIM driver, up to 100,000 hours; driver with integrated Constant Light Output (CLO) in order to keep the luminous flux at the same level over the entire life time; AC/DC compatible for operation with central battery systems  
 LED life expectancy: 65,000 hours/ L100/ B10; 100,000 hours/ L90 / B10 for minimum maintenance costs due to an excellent thermal management  
 light control: at extra cost: power reduction, dimming or CLEVER LIGHT  
 optical system: directed light (multi layer) provided by an exchangeable, anti-aging lens technology  
 light distribution: [street optics](#), [square optics](#), [area optics](#), [pedestrian crossing optics](#) – see next page  
 luminaire head: made of die cast aluminium, powder coated  
 glazing: slightly curved toughened glass glazing, to be hinged down  
 colour: DB 703; other colours on request  
 glazing: slightly curved, clear toughened glass glazing  
 wiring: completely wired; via a clamp within the luminaire head

installation: for side entry  $\varnothing$  60mm  
 accessory: lamp, cable, column and wall brackets, columns, pole accessories - to be ordered separately  
 application areas: parkways, cycle lanes, residential and local distribution roads, main streets, boulevards, schools, car parks, factory premises, hotels, holiday parks

lamp	kg	product code
DA+ (2x8) LED 11W/2,100lm/4,000K	10.8	9.101.8115.xxx
DA+ (2x8) LED 13W/2,400lm/4,000K	10.8	9.101.8118.xxx
DA+ (2x8) LED 17W/3,000lm/4,000K	10.8	9.101.8124.xxx
DA+ (2x8) LED 22W/3,800lm/4,000K	10.8	9.101.8128.xxx
DA+ (2x8) LED 23W/4,200lm/4,000K <sup>(2)</sup>	11.4	9.101.8215.xxx
DA+ (2x8) LED 27W/4,800lm/4,000K <sup>(2)</sup>	11.4	9.101.8218.xxx
DA+ (2x8) LED 34W/6,000lm/4,000K <sup>(2)</sup>	11.4	9.101.8224.xxx
DA+ (2x8) LED 45W/7,600lm/4,000K <sup>(2)</sup>	11.4	9.101.8228.xxx
DA+ (2x8) LED 34W/6,300lm/4,000K <sup>(3)</sup>	11.9	9.101.8315.xxx
DA+ (2x8) LED 40W/7,200lm/4,000K <sup>(3)</sup>	11.9	9.101.8318.xxx
DA+ (2x8) LED 52W/9,000lm/4,000K <sup>(3)</sup>	11.9	9.101.8324.xxx
DA+ (2x8) LED 67W/11,400lm/4,000K <sup>(3)</sup>	11.9	9.101.8328.xxx
DA+ (2x8) LED 12W/2,000lm/3,000K	10.8	9.101.8115.xxx-3
DA+ (2x8) LED 14W/2,300lm/3,000K	10.8	9.101.8118.xxx-3
DA+ (2x8) LED 18W/2,900lm/3,000K	10.8	9.101.8124.xxx-3
DA+ (2x8) LED 23W/3,700lm/3,000K	10.8	9.101.8128.xxx-3
DA+ (2x8) LED 23W/4,000lm/3,000K <sup>(2)</sup>	11.4	9.101.8215.xxx-3
DA+ (2x8) LED 27W/4,600lm/3,000K <sup>(2)</sup>	11.4	9.101.8218.xxx-3
DA+ (2x8) LED 35W/5,800lm/3,000K <sup>(2)</sup>	11.4	9.101.8224.xxx-3
DA+ (2x8) LED 47W/7,400lm/3,000K <sup>(2)</sup>	11.4	9.101.8228.xxx-3
DA+ (2x8) LED 34W/6,300lm/4,000K <sup>(3)</sup>	11.9	9.101.8315.xxx-3
DA+ (2x8) LED 40W/7,200lm/4,000K <sup>(3)</sup>	11.9	9.101.8318.xxx-3
DA+ (2x8) LED 52W/9,000lm/4,000K <sup>(3)</sup>	11.9	9.101.8324.xxx-3
DA+ (2x8) LED 67W/11,400lm/4,000K <sup>(3)</sup>	11.9	9.101.8328.xxx-3

power reduction without pilot-line, dimming level and time according to customer's request 9.101.xxxx.xxx(-3)-93

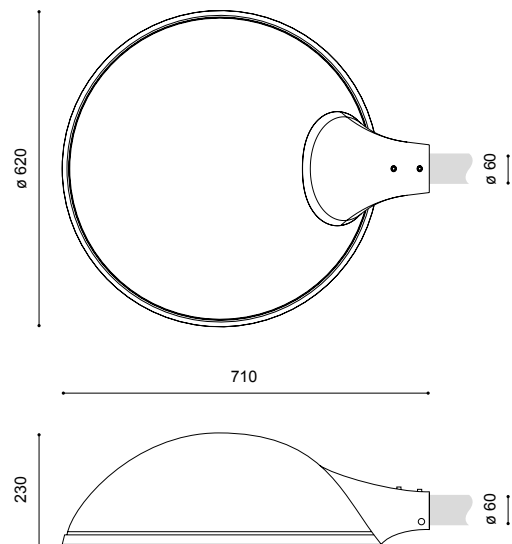
power reduction with pilot-line, dimming level and logic according to customer's request 9.101.xxxx.xxx(-3)-94

**accessory:** made of hot-dip galvanised steel, powder coated  
 bracket **MA 1.3 NE** 3.2 0.910.1611.36  
 wall bracket **WA 714-2** 2.1 9.982.0015.714  
 corner bracket **EA 614-2** 2.1 9.982.0010.614

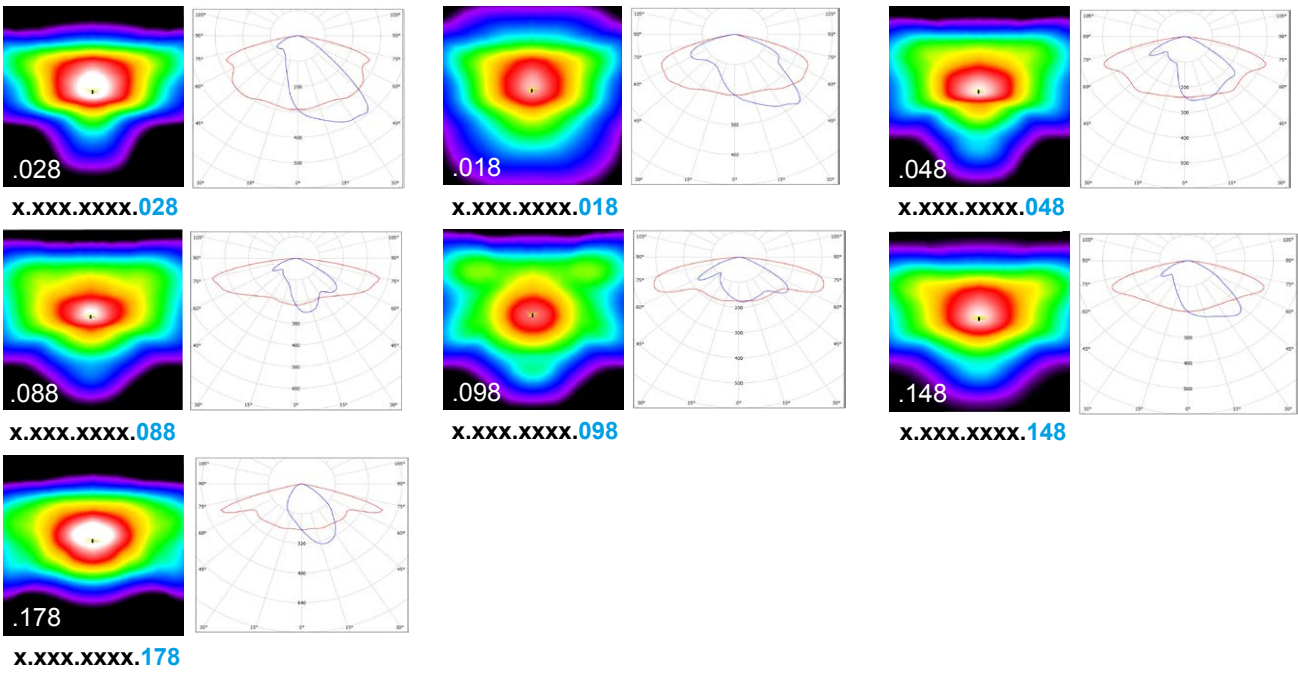
**accessory:**  
 backlight shield **LS DA 1** 2.914.8301.17

(2) 2 modules / (3) 3 modules  
 class II at extra cost (add "S" at the end)

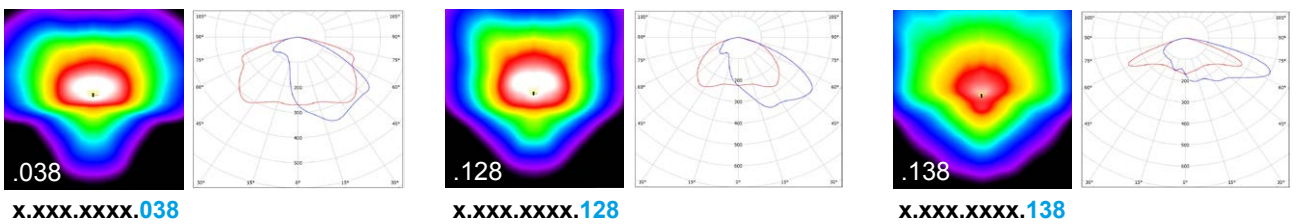
Technical specifications are subject to change without notice. 07.2022



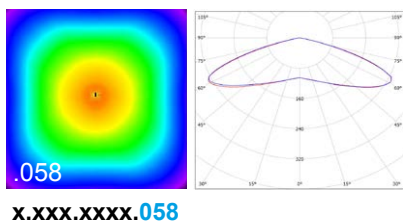
**street optics (2x8)**  
asymmetrical wide beam / asymmetrical deep wide beam



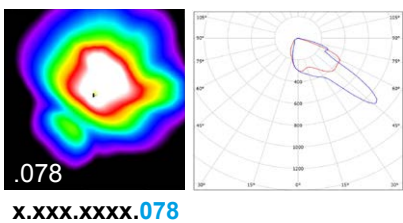
**area optics (2x8)**  
asymmetrical deep wide beam / asymmetrical



**square optics (2x8)**  
symmetrical



**pedestrian crossing optics (2x8)**  
right beam



Technical specifications are subject to change without notice. 07.2022