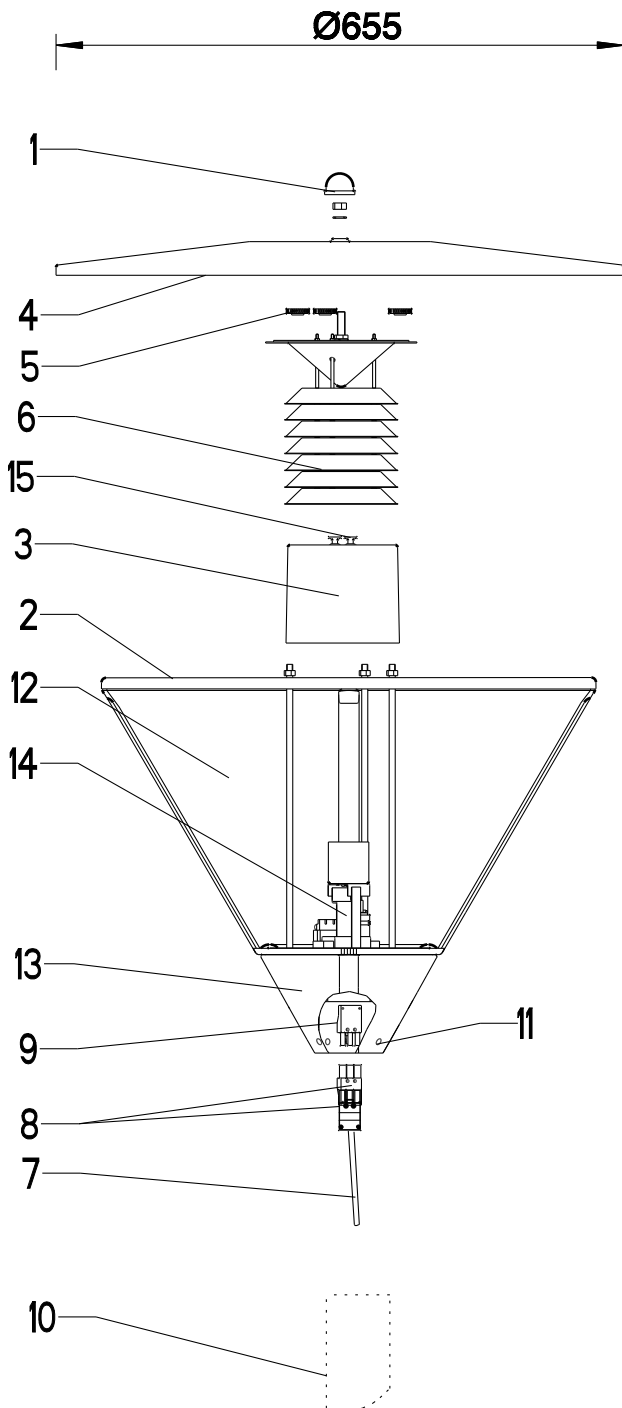


Clara VIII/1

**LEIPZIGER
LEUCHTEN**

Gewerbepark
Leipzig-Nordost
Heiterblickstr. 37
04347 Leipzig
Tel.: +49 (0)341/24 56 13 0
Fax: +49 (0)341/24 56 13 99



Release the button (1) by turning it off.

Take off the cover (4).

Release the 3 pcs. rim nuts (5) and take out the lid with the thereon fixed lamellae reflector (6).

Install the lighting mean according to the power instruction.

To reach the electrical parts (14) please release the quick fastener (15) and take off the bonnet (3).

Close the luminary following this instruction backwards.

Connect the connection line (7) with the socket (8) which is added and push it into the socket (9) situated inside the luminary.

Set up the luminary on a pole with diam. 76 mm (10).

Align the luminary with 3 pcs. wire sticks M8 (11) and tense them well.

Please pay attention to: that the leading lines of the luminaries' attachment (12) suit to those of the cast part (13).