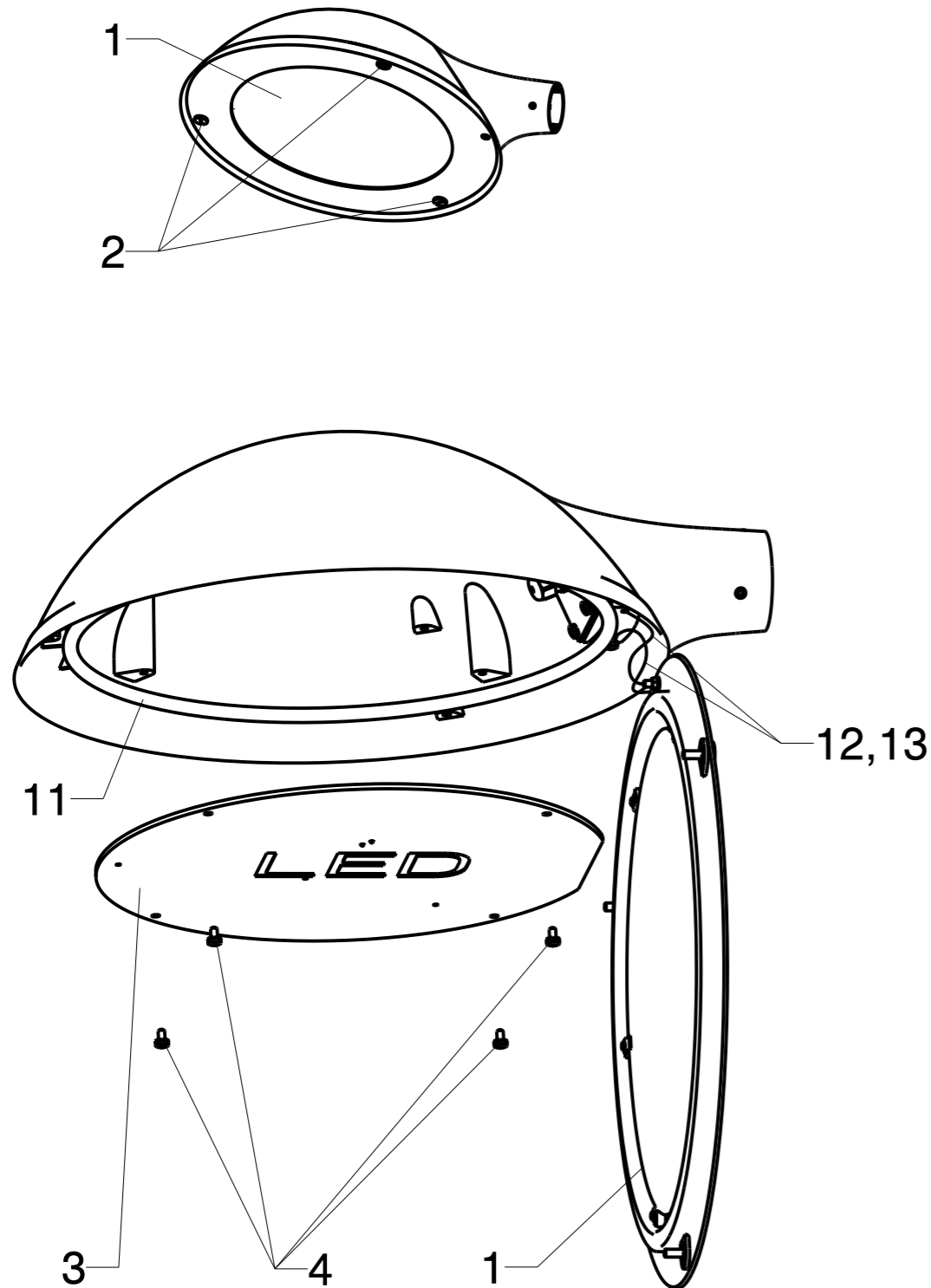


Post side entry luminaire COSMA III LED (FF, DA, FLS)



Connecting the supply line

- Open the glazing/cover (1) by turning the screws (2).
- Loosen screws and washers (4) and carefully remove the LED unit (3).
- Direct the cable (5) through the connecting piece (6) and the cable gland (7) to the socket (8) (supplied with the luminaire).
- Turn the cable gland (7).
- Push the socket (8) into the plug (9) of the LED unit.
- Close the luminaire head in the reserve assembly process.

When assembling the luminaire, the correct alignment of the seal (11) and of the safety cable (12) (with class I also the grounding cable (13)) have to be checked.

Mounting on the bracket

- Direct the cable (5) through the bracket (10) into the pole.
- Place the luminaire head on the top (Ø60mm) of the bracket (10) and push it in to the stopper.
- Brace the luminaire with the supplied grub screws (20).

