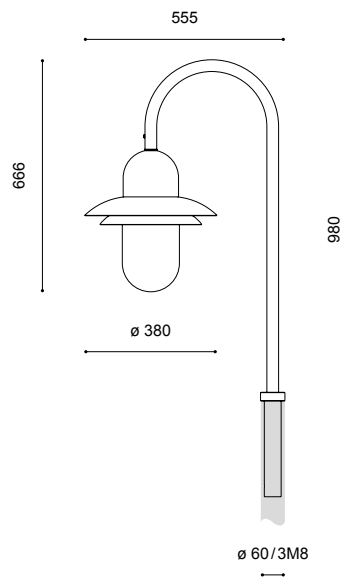


post top luminaire
GOERG II TAB LED



recom. pole height: 2.50m – 3.00m
 light standards: low lighting requirements
 lamp: incl. TAB LED module
 LED gear: incl. electronic drivers (not dimmable, without CLO); the power can be switched on the driver via DIP-switch provided by the customer (4 levels)
 LED life expectancy: up to 50.000 hours/ L70 for minimum maintenance costs due to an excellent thermal management
 optical system: vertically mounted module, diffuse
 light distribution: symmetrical
 luminaire head: incl. canopy made of aluminium with a special white, reflective underside finish; base and tubes made of hot dip galvanised steel; powder coated RAL or DB
 colour: polyethylene, opal, resistant
 glazing: luminaire head completely wired; incl. cable ca. 2.00m via a plug and socket connector below the luminaire head
 wiring:
 installation: for post top ø 60mm with 3 threads M8
 accessory: column, pole accessories – to be ordered separately
 application areas: historic center, pedestrian zones, parkways, boulevards, schools, hotels, factory premises, residential and local distribution roads, squares, car parks, private gardens



lamp	kg	product code
TAB LED 23,5W/2.538lm/4.000K	7,0	9.870.9023.02-N40
TAB LED 23,5W/2.369lm/3.000K	7,0	9.870.9023.02-N30

class II at extra cost (add "S" at the end)

Technical specifications are subject to change without notice. 06.2021