



Zhaga CE

EN 60598-2-3



CLO

AC / DC

10kV

RA 80 CRI 80

IP 65

IK 08

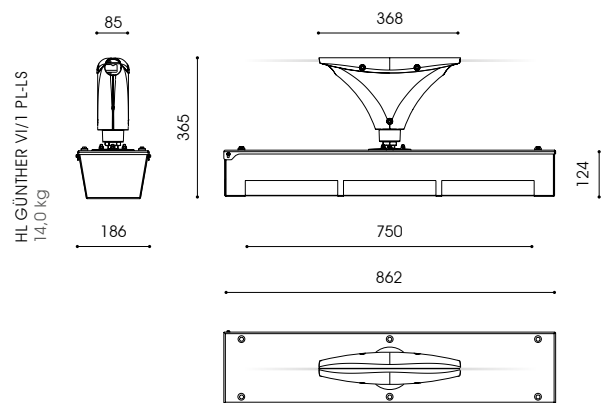
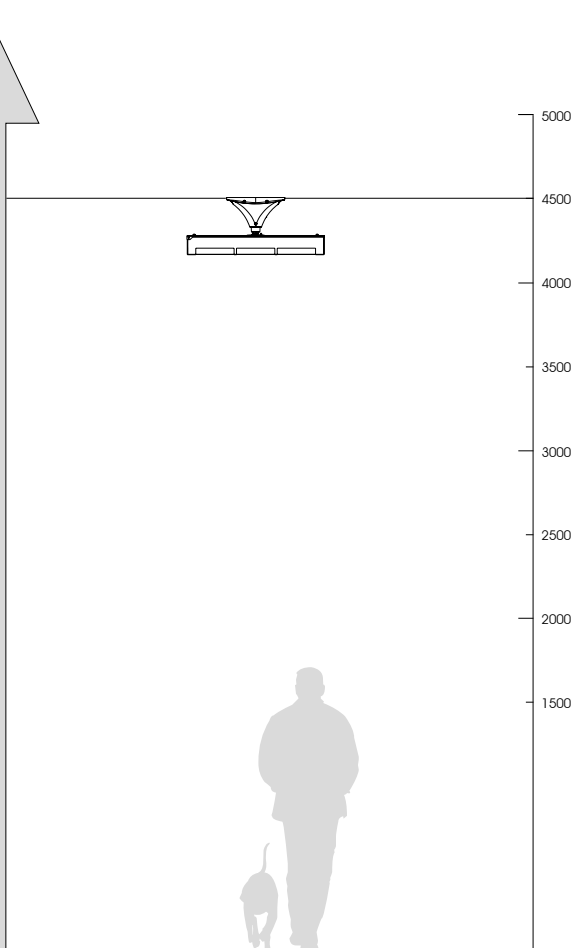
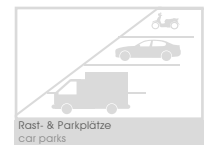
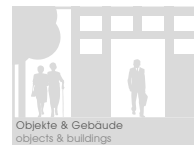
220 – 240V / 50 – 60Hz

WA: 0,145m<sup>2</sup>

DB 703

DIE ELEGANTE HÄNGELEUCHE. THE ELEGANT SUSPENDED LUMINAIRE.

Hauptanwendungen: empfohlene Montagehöhe 6,00m - 10,00m  
 application areas: recommended mounting height 6.00m - 10.00m



# HL GÜNTHER VI/1



HÄNGELEUCHE  
SUSPENDED LUMINAIRE

## PL-LS LED

**Varianten für Farbtemperatur:** 2.700K / 3.000K / 4.000K  
**variants for colour temperature:** 2,700K / 3,000K / 4,000K

**Lichtverteilung:** symmetrisch  
**distribution:** symmetrical

**Bereich Lichtstrom:** 4.000lm - 8.000lm  
**lumen range:** 4,000lm - 8,000lm

**optisches System:** horizontales PL-LS LED Modul, diffus  
**optical system:** horizontally mounted PL-LS LED module, diffuse

- Leuchtenkopf aus Edelstahl, pulverbeschichtet; Neigung +15°/-15°
- Abdeckung aus PMMA RESIST, satiniert, flach, schlagzäh
- komplett verdrahtet bis Anschlussraum im Abhängeadapter
- inkl. Abhängeadapter zur montagefreundlichen Befestigung an Überspannungsseilen (ø 5 - ø 10mm) mit Möglichkeit zur horizontalen und vertikalen Ausrichtung der Leuchte, zur Durchverdrahtung geeignet
- separat zu bestellen: Kabel
- luminaire head made of stainless steel, powder coated; inclination +15°/-15°
- glazing made of PMMA RESIST, clear, flat, high-impact resistant
- completely wired until connection compartment of the suspension device
- incl. suspension device for installation-friendly fixing on steel cables ø5mm - ø10mm with the possibility for horizontal and vertical alignment of the luminaire, suitable for loop in and loop out
- to be ordered separately: cable

### HL GÜNTHER VI/1 PL-LS - 4.000K

PL-LS LED 20W/4.000lm/4.000K	9.024.9745.061
PL-LS LED 29W/6.000lm/4.000K	9.024.9765.061
PL-LS LED 40W/8.000lm/4.000K	9.024.9785.061

### HL GÜNTHER VI/1 PL-LS - 3.000K

PL-LS LED 22W/4.000lm/3.000K	9.024.9744.061
PL-LS LED 32W/6.000lm/3.000K	9.024.9764.061
PL-LS LED 43W/8.000lm/3.000K	9.024.9784.061

ZSo

CLEVER  
LIGHT

RAL  
DB

DIM

