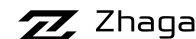


post top luminaire

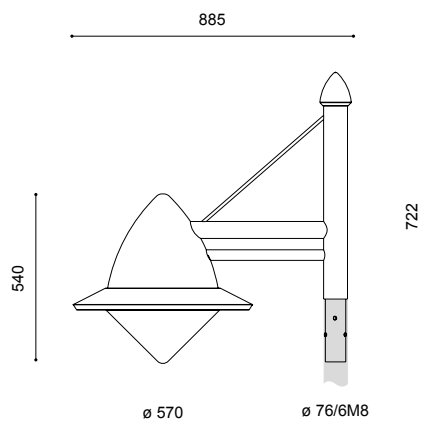


LUCAS IV LLM-DA LED



- recom. pole height: 4.00m – 6.00m
- light standards: for low and medium lighting requirements
- lamp: incl. 1 LLM-DA LED module, glare-free, easy to replace
- colour temperature: 3.000K warm white or 4.000K neutral white
- surge protection: 10kV
- LED gear: incl. driver, up to 100,000 hours; with integrated Constant Light Output (CLO) in order to keep the luminous flux at the same level over the entire life time; AC/DC compatible for emergency
- LED life expectancy: 65,000 hours/ L100/ B10; 100,000 hours/ L90 /B10 for minimum maintenance costs due to an excellent thermal management
- light control: at extra cost: power reduction, dimming, DALI or CLEVER LIGHT
- optical system: mirror plate for horizontally mounted LLM-DA LED module
- light distribution: wide beam
- luminaire head: made of cast aluminium with a special white, reflective underside finish; powder coated
- bracket: incl. decorative bracket for post tops made of stainless steel, powder coated
- colour: DB 703; other RAL or DB colour without extra cost on request
- glazing: polycarbonate, clear or clear frosted, impact resistant, UV-stabilised
- wiring: luminaire head completely wired; via a plug and socket connector outside the luminaire head
- installation: for post top entry \varnothing 76mm
- accessory: cable, column and accessory rings – to be ordered separately
- application areas: parkways, boulevards, schools, hotels, factory premises, residential and local distributor roads, paths, small squares, car parks

lamp	kg	product code
clear glazing		
LLM-DA LED 9W/1,100lm/3,000K	20.5	9.854.9017.15-2
LLM-DA LED 16W/1,800lm/3,000K	20.5	9.854.9008.15-2
LLM-DA LED 26W/3,000lm/3,000K	20.5	9.854.9042.15-2
LLM-DA LED 8W/1,100lm/4,000K	20.5	9.854.9015.15-2
LLM-DA LED 15W/1,800lm/4,000K	20.5	9.854.9005.15-2
LLM-DA LED 24W/3,000lm/4,000K	20.5	9.854.9035.15-2
clear frosted glazing		9.854.xxxx.x6-2
power reduction without pilot-line, dimming level and time according to customer's request		9.854.xxxx.xx-2-93
power reduction with pilot-line, dimming level and logic according to customer's request		9.854.xxxx.xx-2-94



class II at extra cost (add "S" at the end)

Technical specifications are subject to change without notice. 09.2022