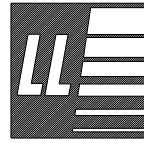


Installation Instruction

Lucas IV

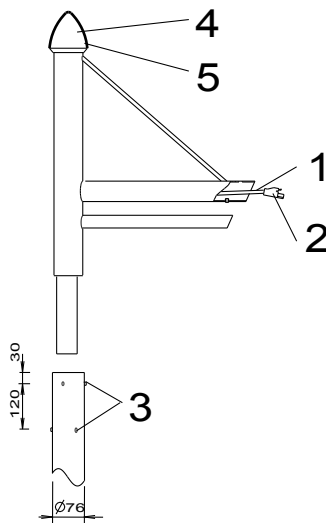


LEIPZIGER LEUCHTEN

Heiterblickstr. 37 - D-04347 Leipzig
tel: + 49 - 341-24 56 13 0 - fax: + 49 - 341-24 56 13 99
info@leipziger-leuchten.com - www.leipziger-leuchten.com

Attention:

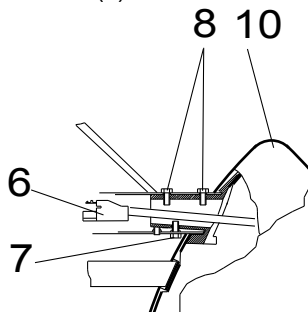
When using the accessory ring no. 9.900.0009.17 and the accessory ring no. 9.900.0010.24 please pay attention to the installation guide which is added. (Push the accessory rings on the pole in advance before mounting the bracket!)



A) Thread the connection line (1) through the pole bracket and connect it with the added socket (2).}

B) Set up the bracket on top of the pole with a diam. \varnothing 76 mm. Align and fix it with 6 pcs. wire sticks M8x10 (3).

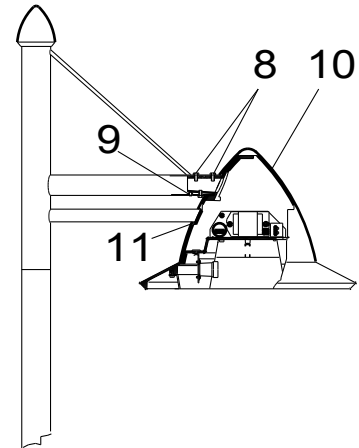
C) Set up the cover (4) and fix it with 1 pc. wire stick M8x10 (5).



D) Push inside the socket part (6) which is hanging out of the luminaire head (10) into socket (2) and then into the pole bracket.

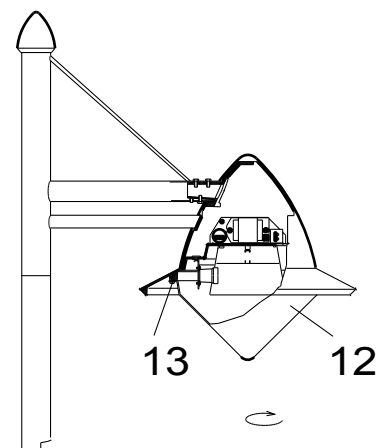
E) Set up the luminaire head on the bracket and hang it up provisorically (if necessary turn inside) on the six-sided screw (7).

F) Unscrew the six-sided screw M8 (8).



G) Align the luminaire head (10) and fix the six-sided screw (8) and the wire stick (9) with a turning moment of 10 Nm.

Attention: The second arm of the bracket must fit into the left scope (11) of the luminaire head.



H) Ensure lamp is correct type and wattage.

I) Set the attachment (12) into the key wholes and fix them with turning them rithtsides. Fix the screws M5 (13).