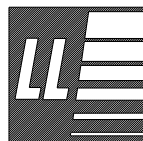


Installation Instruction

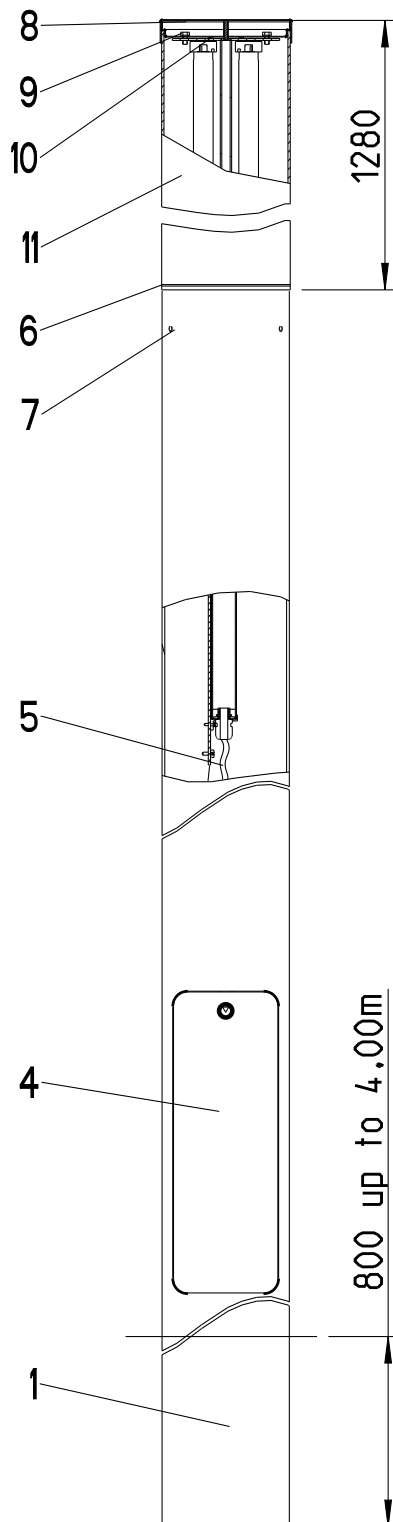
Luminous Column Petra L VI



LEIPZIGER LEUCHTEN

Heiterblickstr. 37 - D-04347 Leipzig
tel: + 49 - 341-24 56 13 0 - fax: + 49 - 341-24 56 13 99
info@leipziger-leuchten.com - www.leipziger-leuchten.com

Opt. 1 with root



Option 1: with root

Set the tube (1) with root 0.80m/ 1.00m (1) into the ground and fix it with sand and concrete.

Option 2: with flange plate

Set the tube (2) with the flange plate (12) on the concrete foundation and mark the fixing drills. Drill the holes and fix the tube on the concrete with 4 (to be ordered separately) anchor bolts (3) according to the circumstances.

For options 1 and 2:

Pull the cable through the tube (2).

Open the tube door (4) with a tri-bolt-key M 6 and connect the cables from the ground and the cable towards the luminaire head (5) at the connection box (to be ordered separately).
Connect and secure electrical supply to Plug.

Set the luminaire head (6) carefully onto the tube and secure the luminaire head to the tube using Grub Screws M8 x 6 (7).

Take the cap (8) off by turning it. Unscrew the six-edge-nut M6 (9) and take the white holder plate (10) off.

Pull the glazing (11) upwards and fit the two florescent lamps L36W. length 1200mm into the lamp holders. Ensure lamp is correct type and wattage.

To close the luminaire head apply instructions 11, 10, 9 and 8 in reverse order.

Opt. 2 with flange plate

