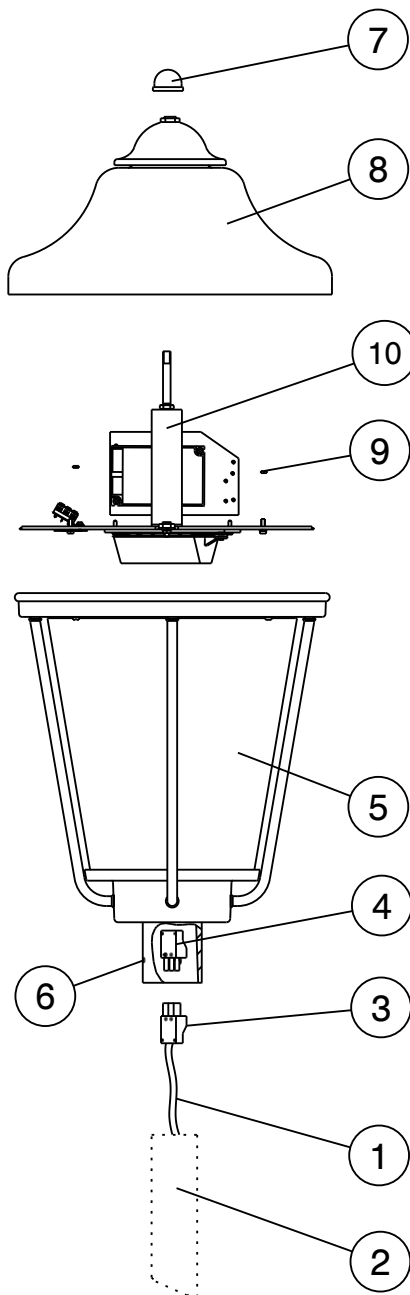


VOLKMAR I, II LLM-LED



Pull the cable (1) through the pole (2) and attach it to the supplied socket (3) and connect it to the plug.

Put the luminaire head (5) on the pole (2) and fix it with the 3 threads M8x10 (6).

To reach the electrical unit loose, the button (7) by turning it left and detach the canopy (8).

Loose the connection and the 4 nuts M5 (9) at the electrical ballast. The electrical unit (10) is detachable.

After changing the electrical unit, the luminaire head can be reassembled following the installation sheet backwards.

Location LED to the roadway / top view

