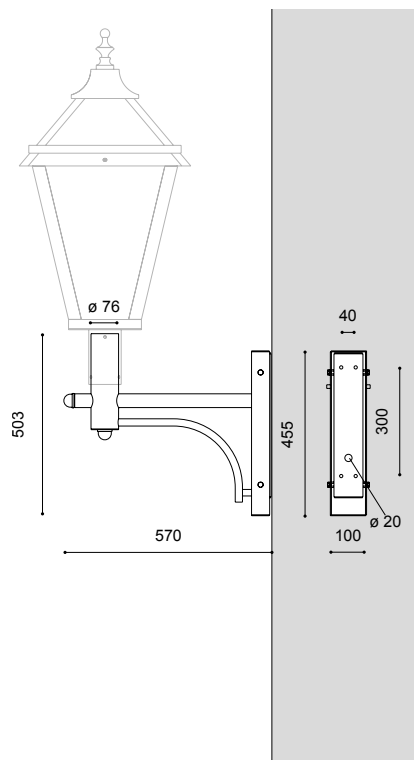


wall bracket
WA I/76



length: 570mm
 inclination: 0°
 bracket: made of hot dip galvanised steel, powder coated DB 703 or RAL or DB
 colour:
 installation: for luminaires with Ø 76mm mounting; to be screwed to the wall; for decorative heritage luminaire ALFRED, BODO
 accessory: fixing material for the wall installation – to be ordered separately



| product | kg | product code |
|--|-----|------------------|
| powder coated in DB 703 WA I/76 | 7,5 | 9.800.0037.06 |
| powder coated in RAL or DB WA I/76 | 7,5 | 9.800.0037.06-RD |

Technical specifications are subject to change without notice. 02.2025