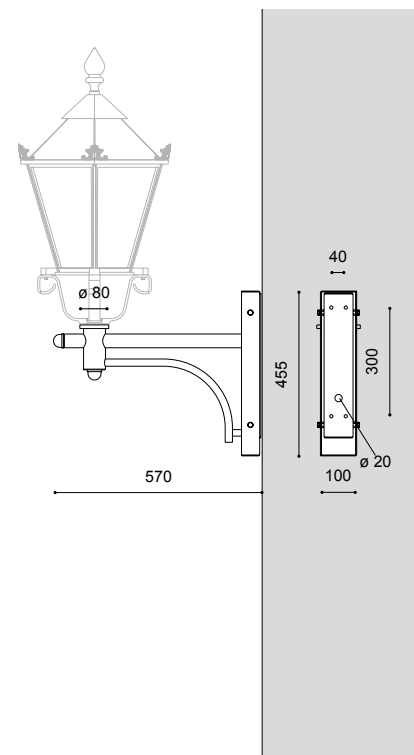


wall bracket

WA I MIDI



length: 570mm
 inclination: 0°
 bracket: made of hot dip galvanised steel, powder coated DB 703 or RAL or DB
 colour:
 installation: incl. 2x screw threads M8 at a distance of 60mm to be screwed the luminaire head; to be screwed to the wall; for decorative heritage luminaire ALBRECHT MIDI
 accessory: fixing material for the wall installation – to be ordered separately



product	kg	product code
powder coated in DB 703 WA I MIDI	7,0	9.800.1001.71
powder coated in RAL or DB WA I MIDI	7,0	9.800.1001.71-RD

Technical specifications are subject to change without notice. 02.2025