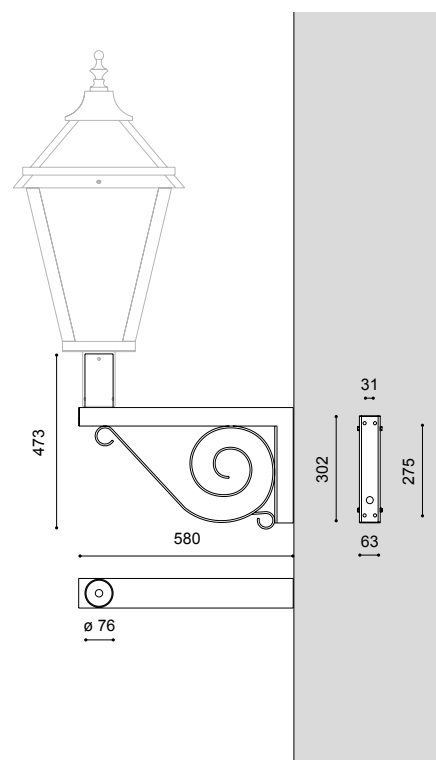


wall bracket
WA VI/76



length: 570mm
 inclination: 0°
 bracket: made of stainless steel (V2A); powder coated
 colour: DB 703 or RAL or DB
 installation: for luminaires with Ø 76mm mounting; to be screwed to the wall; for decorative heritage luminaire ALFRED, BODO
 accessory: fixing material for the wall installation – to be ordered separately



product	kg	product code
powder coated in DB 703 WA VI/76	7,2	9.800.1006.70-Z76
powder coated in RAL or DB WA VI/76	7,2	9.800.1006.70-Z76-RD

Technical specifications are subject to change without notice. 02.2025