

wall luminaire

CE | Ⓢ | EN 60598-2-3 | IP 65 | 220V – 240V / 50Hz – 60Hz

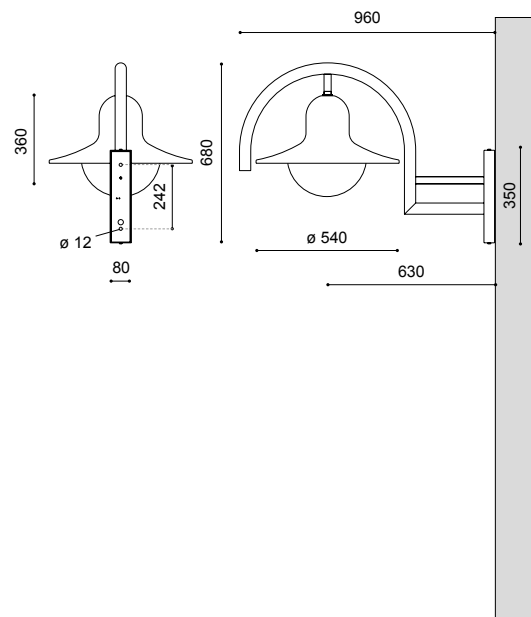


WL NORA | LLM-DA LED



- mounting height: 2.50m – 5.00m
- light standards: for low and medium lighting requirements
- lamp: incl. 1 glare-free LLM-DA LED module; easy to replace
- colour temperature: 3,000K warm white or 4,000K neutral white
- surge protection: 10kV
- LED gear: incl. driver, up to 100,000 hours; with integrated Constant Light Output (CLO) in order to keep the luminous flux at the same level over the entire life time; AC/DC compatible for emergency
- LED life expectancy: 65,000 hours/ L100/ B10; 100,000 hours/ L90 /B10 for minimum maintenance costs due to an excellent thermal management
- light control: at extra cost: power reduction, dimming, DALI or CLEVER LIGHT
- optical system: computer-optimised reflector made of highest grade aluminium, polished and anodised for horizontally mounted LLM-DA LED module
- light distribution: wide beam
- luminaire head: made of aluminium with a special white, reflective underside finish; powder coated
- bracket: incl. decorative semicircular bracket made of stainless steel, with wall shield made of hot dip galvanised steel; powder coated
- glazing: polycarbonate, clear or pearled, impact resistant, UV-stabilised
- colour: DB 703; other RAL or DB colour without extra cost on request
- wiring: luminaire head completely wired; via a clamp within the wall shield
- installation: to be screwed on the wall
- accessory: fixing material for the wall installation – to be ordered separately
- application areas: schools, hotels, home for elderly people, factory premises, small car parks, paths, parks

lamp	kg	product code
clear glazing		
LLM-DA LED 9W/1.100lm/3.000K	12,8	9.741.9017.05-2
LLM-DA LED 16W/1.800lm/3.000K	12,8	9.741.9008.05-2
LLM-DA LED 26W/3.000lm/3.000K	12,8	9.741.9042.05-2
LLM-DA LED 8W/1.100lm/4.000K	12,8	9.741.9015.05-2
LLM-DA LED 15W/1.800lm/4.000K	12,8	9.741.9005.05-2
LLM-DA LED 24W/3.000lm/4.000K	12,8	9.741.9035.05-2
pearled glazing		9.741.xxxx.06-2
power reduction without pilot-line, dimming level and time according to customer's request		9.741.xxxx.0x-2-93
power reduction with pilot-line, dimming level and logic according to customer's request		9.741.xxxx.0x-2-94



class II – at extra cost (add "S" at the end)

Technical specifications are subject to change without notice. 02.2019