

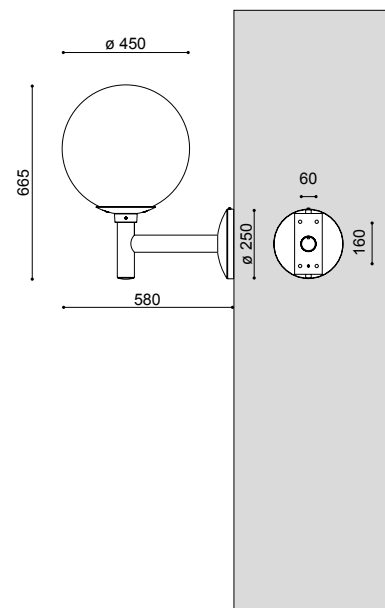
wall luminaire

WL OTTO IV/U LED



- mounting height: 2.00m – 5.00m
- light standards: low and medium lighting requirements
- lamp: incl. 1 glare-free U LED module
- inrush current: 0,03A only
- surge protection: 2x 20kV
- colour temperature: 3.000K warm white or 4.000K neutral white
- LED gear: electronic driver, up to 50.000 hours, high efficiency factor of 94%, with soft start function and Constant Light Output (CLO) in order to keep the luminous flux the same over the entire life time
- LED life expectancy: up to 60.000 hours/L100/B0,25 with CLO resp. 110.000 hours/L80/B0,5 without CLO for minimum maintenance costs due to an excellent thermal management
- light control: at extra cost: dimming; power reduction; external change of dim settings subsequently or CLEVER LIGHT
- optical system: vertically mounted directed U LED modules for wide spacings
- light distribution: symmetrical or asymmetrical
- luminaire head: base made of die cast aluminium, powder coated;
- wall bracket: with wall shield made of hot-dip galvanised steel and cap made of aluminium; powder coated
- colour: DB 703; other RAL or DB colour without extra cost on request
- glazing: polyethylene, opal, high-impact
- wiring: completely wired; incl. cable
- installation: to be screwed on the wall
- accessory: wall fixing materials – to be ordered separately
- application areas: promenades, parkways, boulevards, schools, home for elderly people, hotels, factory premises, paths, squares, car parks, pedestrian zones

lamp	kg	product code
symmetrical		
U LED 11W/2,000lm/3,000K	14,6	9.813.9024.074-14
U LED 15W/3,000lm/3,000K	14,6	9.813.9033.074-14
U LED 21W/4,000lm/3,000K	14,6	9.813.9044.074-141
asymmetrical		
U LED 12W/2,000lm/4,000K	14,6	9.813.9022.074-14
U LED 17W/3,000lm/4,000K	14,6	9.813.9433.074-14
U LED 19W/4,000lm/4,000K	14,6	9.813.9045.074-141
asymmetrical with back shield 160°		9.813.xxxx.x74-54(1) 9.813.xxxx.x74-64(1)
power reduction without pilot-line, dimming level and time according to customer's request 9.813.xxxx.x74P-x(4)		
power reduction with pilot-line, dimming level and logic according to customer's request 9.813.xxxx.x74-x(4)SDU		



class II – at extra cost (add "S" at the end)

Technical specifications are subject to change without notice. 09.2024