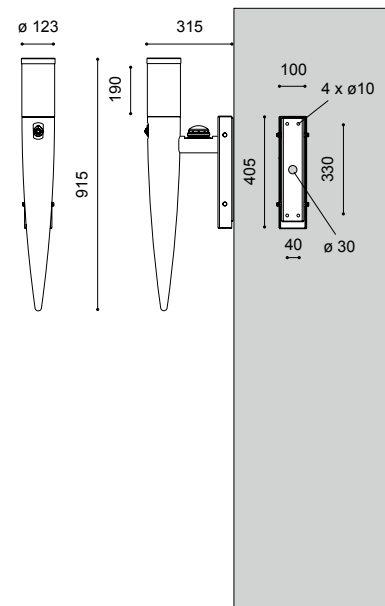


wall luminaire

# WL TESSA I RGB ZS



mounting height: 2.00m - 6,00m  
 light standards: low lighting requirements  
 lamp: incl. 1x LFP-RGB LED module  
 surge protection: 10kV  
 LED gear: incl. driver up to 100,000 hours  
 LED life expectancy: 50,000 hours/ L70/ B50 for minimum maintenance costs due to an excellent thermal management  
  
 light control: at extra cost: dimming, power reduction or DALI  
 optical system: vertically mounted LFP-RGB LED module, diffuse  
 light distribution: symmetrical; asymmetrical on request  
 luminaire head: made of aluminium with cap made of stainless steel, incl. adjustable by a spherical cap closed-meshed detection up to a height of 10m (at 5m approx. 5.50m x 7.50m); powder-coated  
  
 wall bracket: with wall shield made of hot-dip galvanised steel, incl. mit CLEVER LIGHT HUB 203 (C); powder coated  
  
 colour: DB 703; other RAL or DB colours on request  
 glazing: PMMA RESIST, opal, high-impact resistant  
 wiring: completely wired; via a plug and socket connector below the luminaire head  
  
 installation: to be screwed to the wall  
 accessory: fixing material for the wall installation – to be ordered separately  
  
 application areas: private roads, boulevards, schools, senior residences, hotels, company premises, historic buildings



lamp	kg	product code
LFP-RGB LED + CLEVER LIGHT HUB 203 C	10.3	4.629.9000.08-HG203-KHS
LFP-RGB LED + CLEVER LIGHT HUB BASIC 203	10.3	4.629.9000.08-HB203-KHS

Technical specifications are subject to change without notice. 03.2026